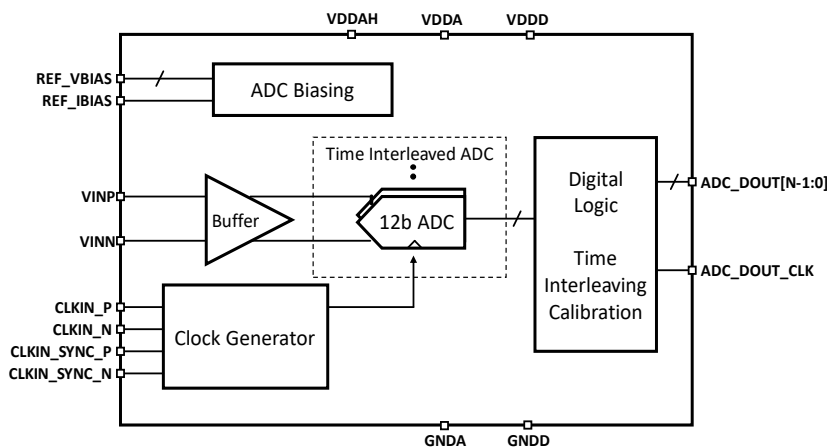


Ultra-High-Performance Neon™ 7 ADC/DAC Family

- 10 to 12-bits of resolution
- Up to 16Gsp/s
- Excellent linearity
- Compact area
- Incorporates Omni's proprietary SWIFT™ technology
- In development
- Complete subsystem with:
 - ✓ Bandgap reference
 - ✓ Capacitance-less LDO(s)
 - ✓ Support for I/Q and array configurations
 - ✓ Internal input buffer and clock distribution
 - ✓ Digital correction and calibration

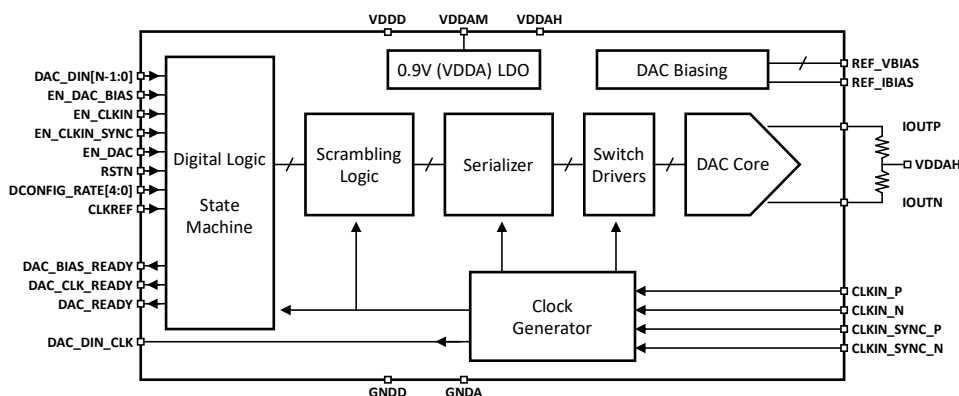


12-bit 16 Gsp/s ADC in 7nm

- Integrated input buffer
- 50 ohm input termination
- On-chip time interleaving correction
- Time synchronization among multiple ADCs
- State-of-the-art FOM
- > 60 dB SFDR

12-bit 16 Gsp/s DAC in 7nm

- Suited for 5G applications
- 100 ohm differential output termination
- 7 GHz full power bandwidth
- > 2 dBm output power
- > 60 dB SFDR
- Supports multi-channel synchronization



All IP from Omni Design Technologies comes with a GDSII database, a design kit with models and netlists at various levels of abstraction and dedicated customer support.

www.omnidesigntech.com

Omni Design Technologies, Inc.
1525 McCarthy Blvd, Ste 220
Milpitas, CA 95035

www.omnidesigntech.com
support@omnidesigntech.com
sales@omnidesigntech.com
Phone: 408-727-6377