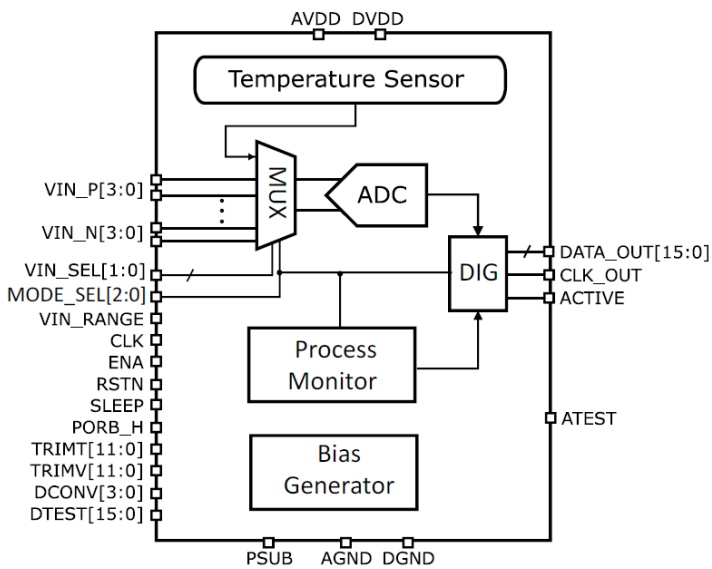
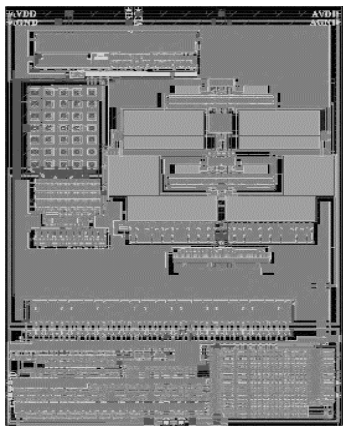


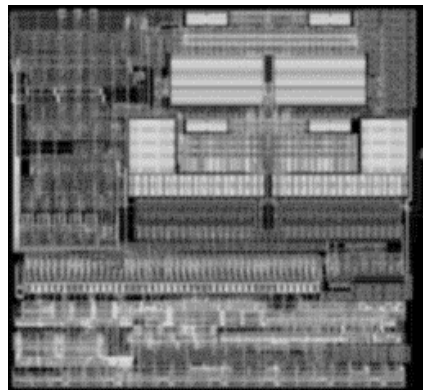
Voltage, Temperature Sensors, Process Monitors



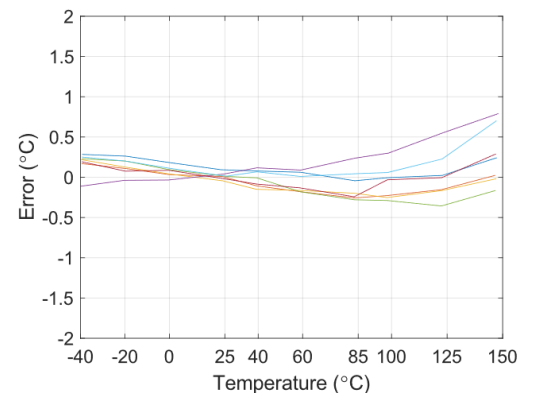
- Ultra-low energy consumption
- $\pm 4^\circ\text{C}$ untrimmed accuracy
- $\pm 1^\circ\text{C}$ trimmed accuracy from -40°C to 125°C
- $\pm 0.5^\circ\text{C}$ accuracy available after two-measurement trim
- Voltage monitor with input mux supports both single-ended and differential inputs
- Process monitor captures process variation of core P, N and I/O P, N MOS devices
- Available in advanced FinFET nodes to 40nm
- Digital 14-bit readout
- Extremely low area, no external components
- Functional to 150°C



**$\pm 1.0\text{C}$ 40nm
VT Sensor**



**$\pm 1.0\text{C}$ 28nm
VT Sensor**



Accuracy after trim

All IP from Omni Design Technologies comes with a GDSII database, a design kit with models and netlists at various levels of abstraction and dedicated customer support.

www.omnidesigntech.com

Omni Design Technologies, Inc.
1525 McCarthy Blvd, Ste 220
Milpitas, CA 95035

www.omnidesigntech.com
support@omnidesigntech.com
sales@omnidesigntech.com
Phone: 408-727-6377